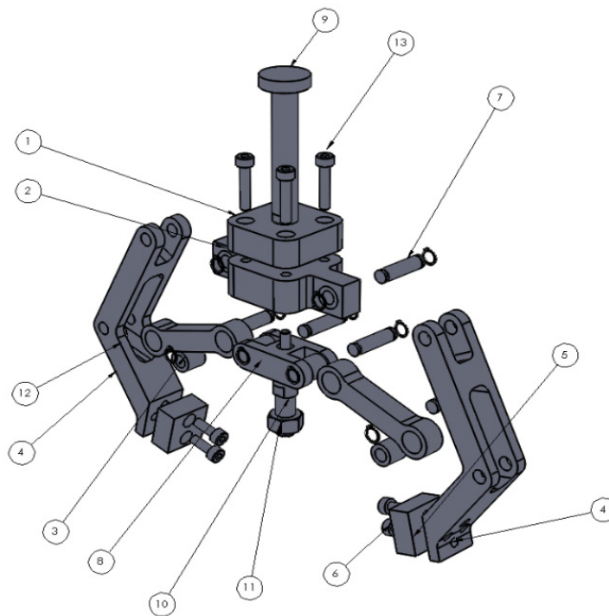


Project 4

Pneumatic Gripper Assembly

In this project, you will create components for a Pneumatic gripper assembly and then assemble them. You need to create all the components as separate part files. The views and dimensions of the components are shown in Figures P4-3 through P4-10.

You can also download the model files for your reference from www.cadcim.com. To download the files, use the following path: *Textbooks > CAD/CAM > SOLIDWORKS > SOLIDWORKS 2021 for Designers > Projects for Free Download > Project 4*



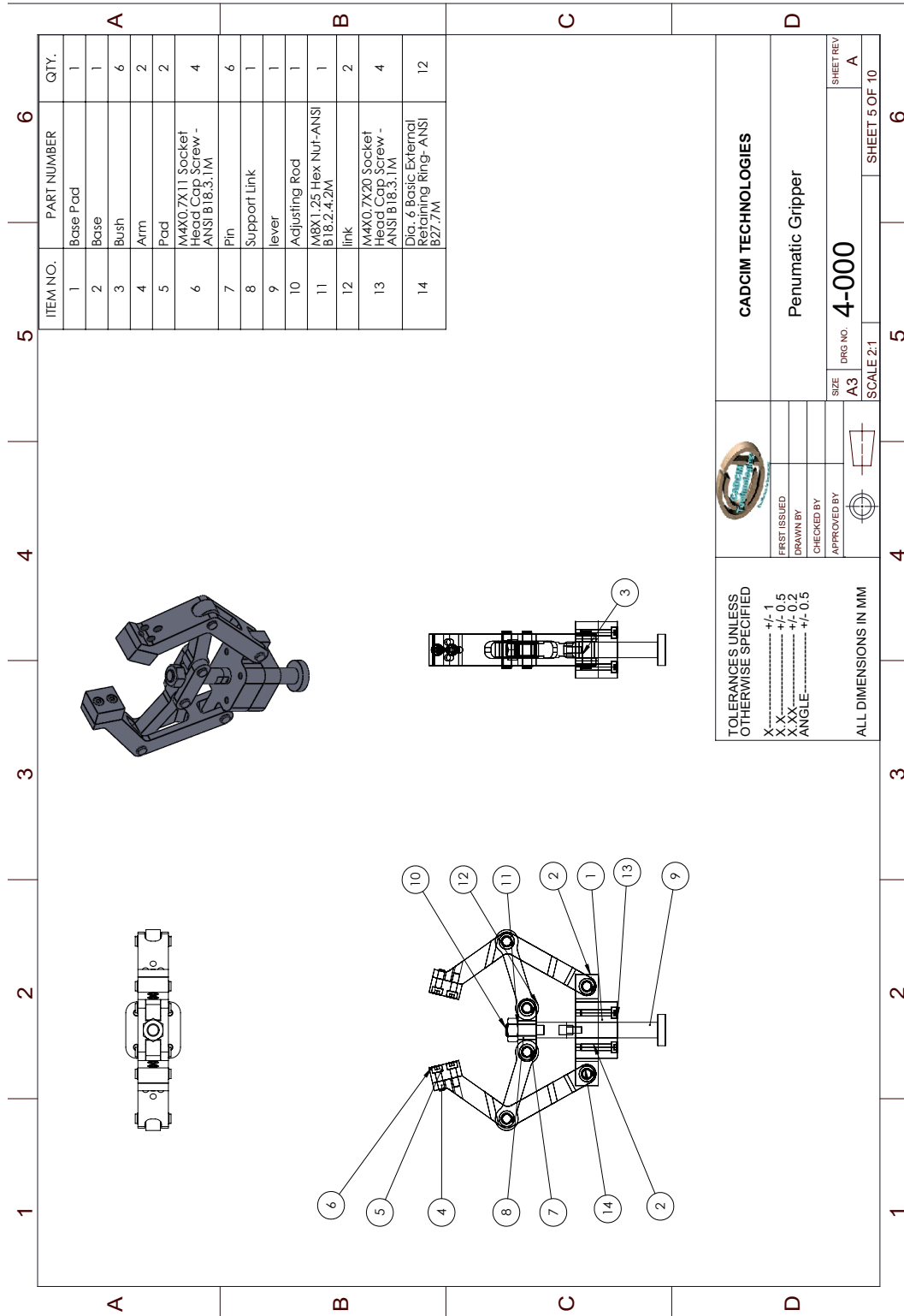


Figure P4-1 The Pneumatic Gripper assembly

TOLERANCES UNLESS OTHERWISE SPECIFIED
 X..... +/- 1
 X.X..... +/- 0.5
 X.XX..... +/- 0.2
 ANGLE..... +/- 0.5

ALL DIMENSIONS IN MM

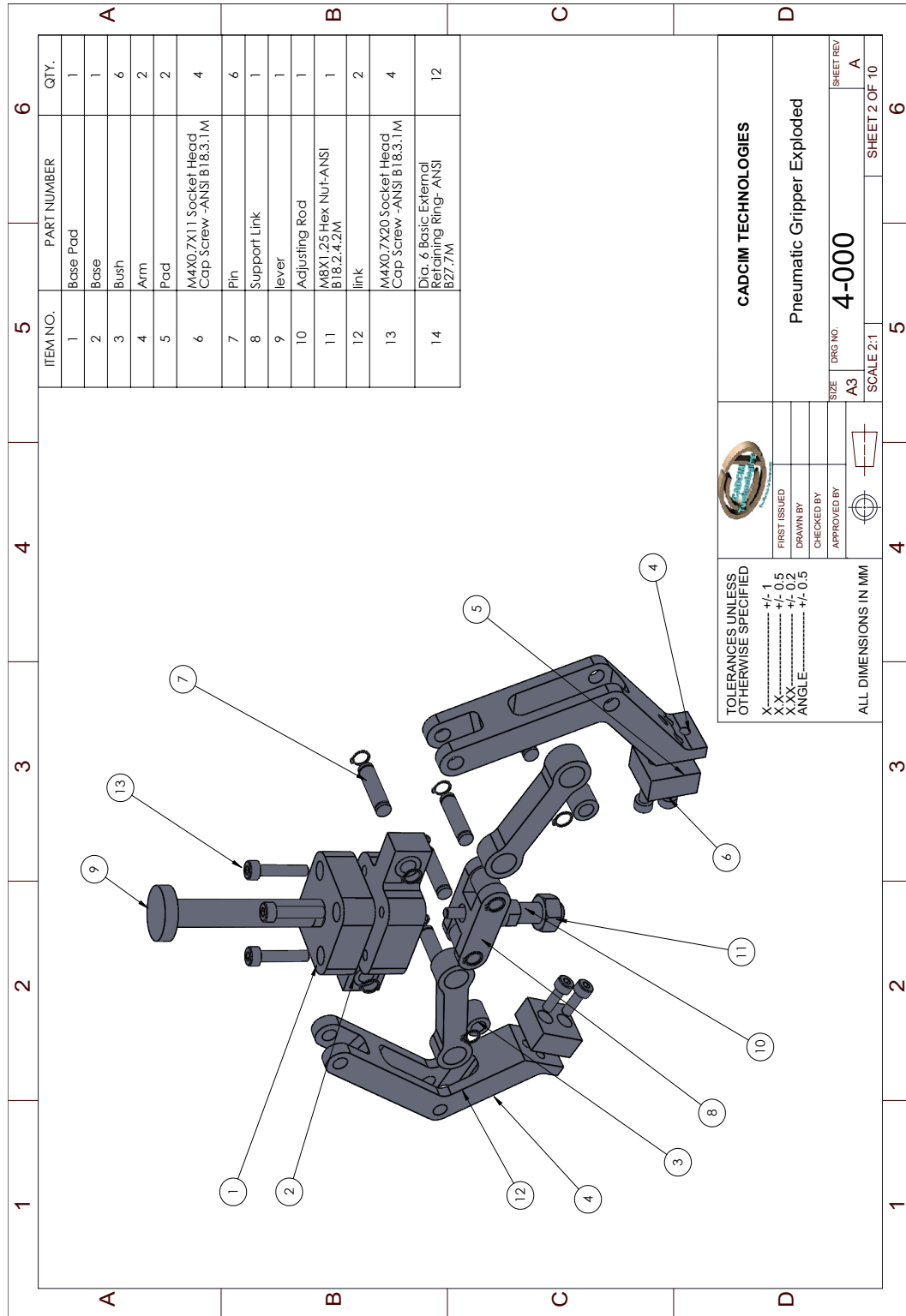


Figure P4-2 The exploded view of Pneumatic Gripper assembly

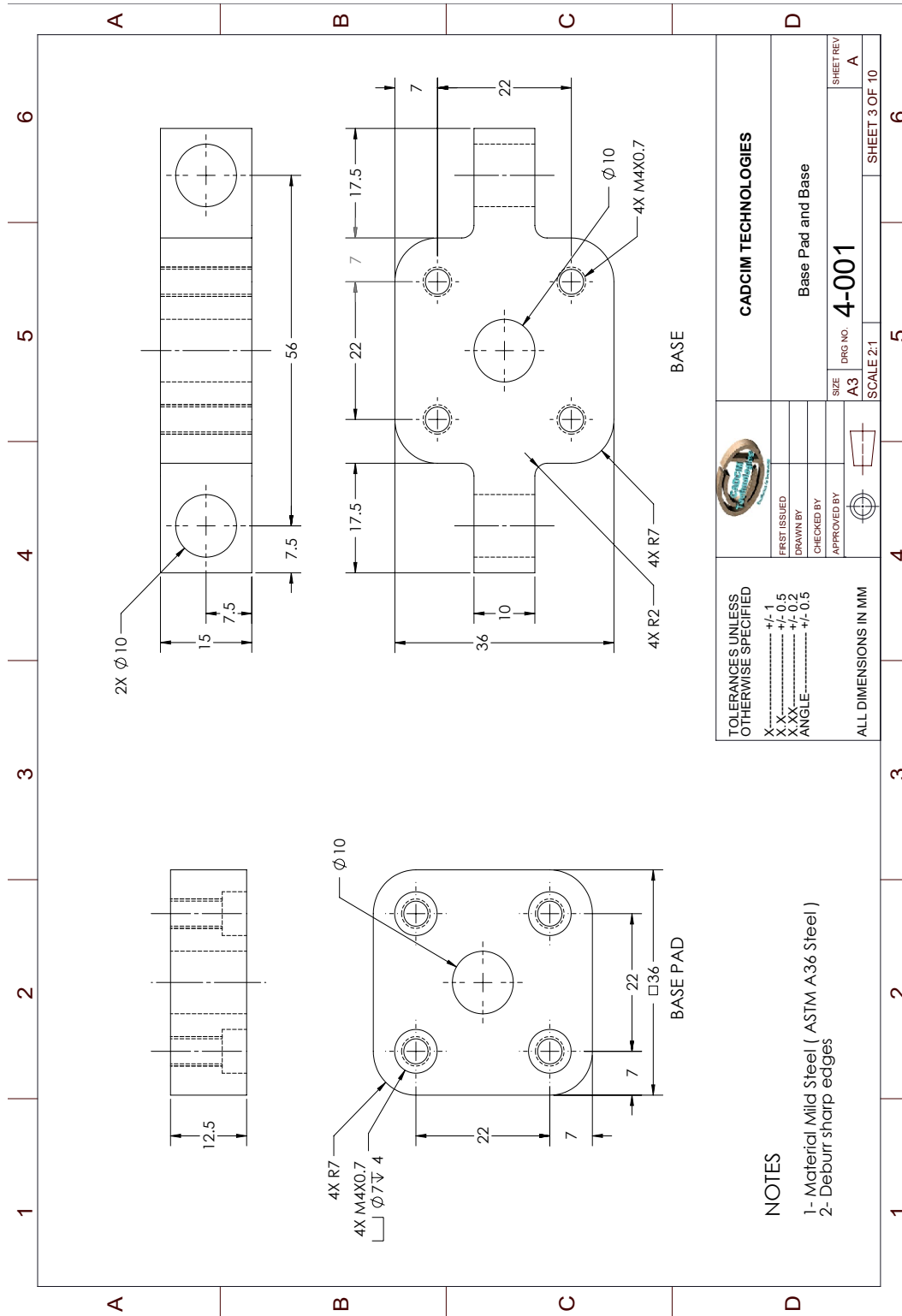


Figure P4-3 Views and dimensions of Base Plate and Base

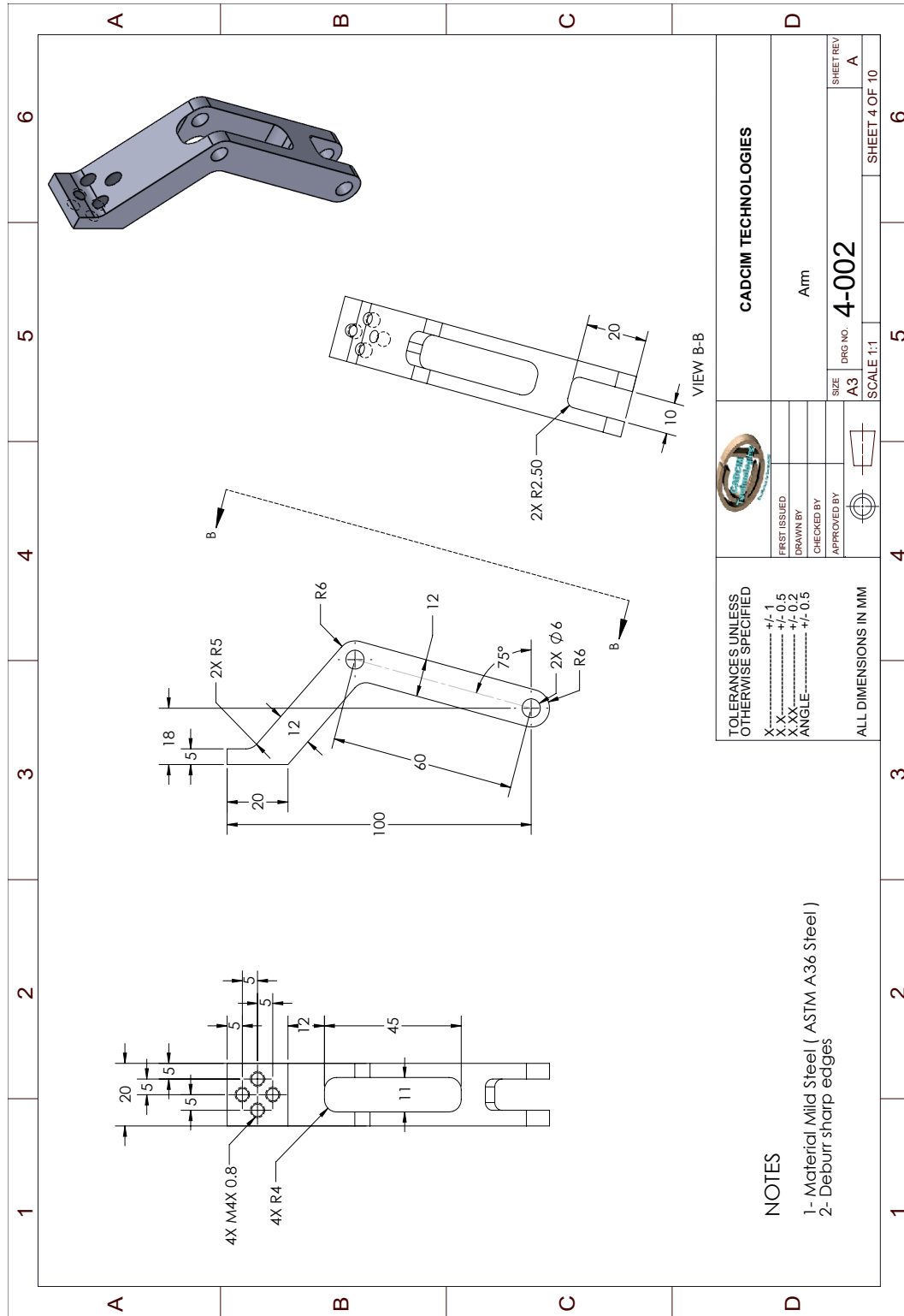


Figure P4-4 Views and dimensions of Arm

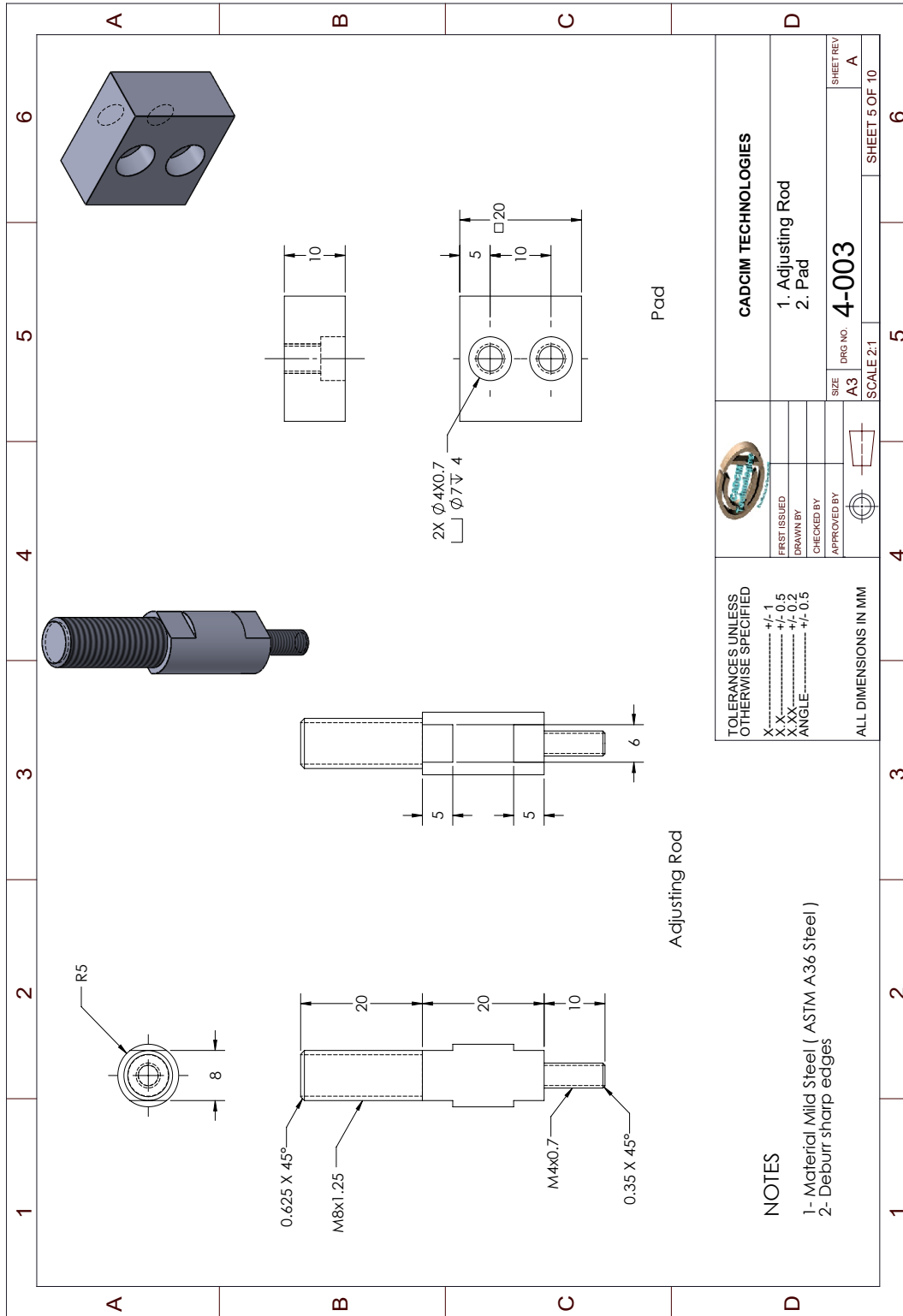


Figure P4-5 Views and dimensions of Adjusting Rod and Pad

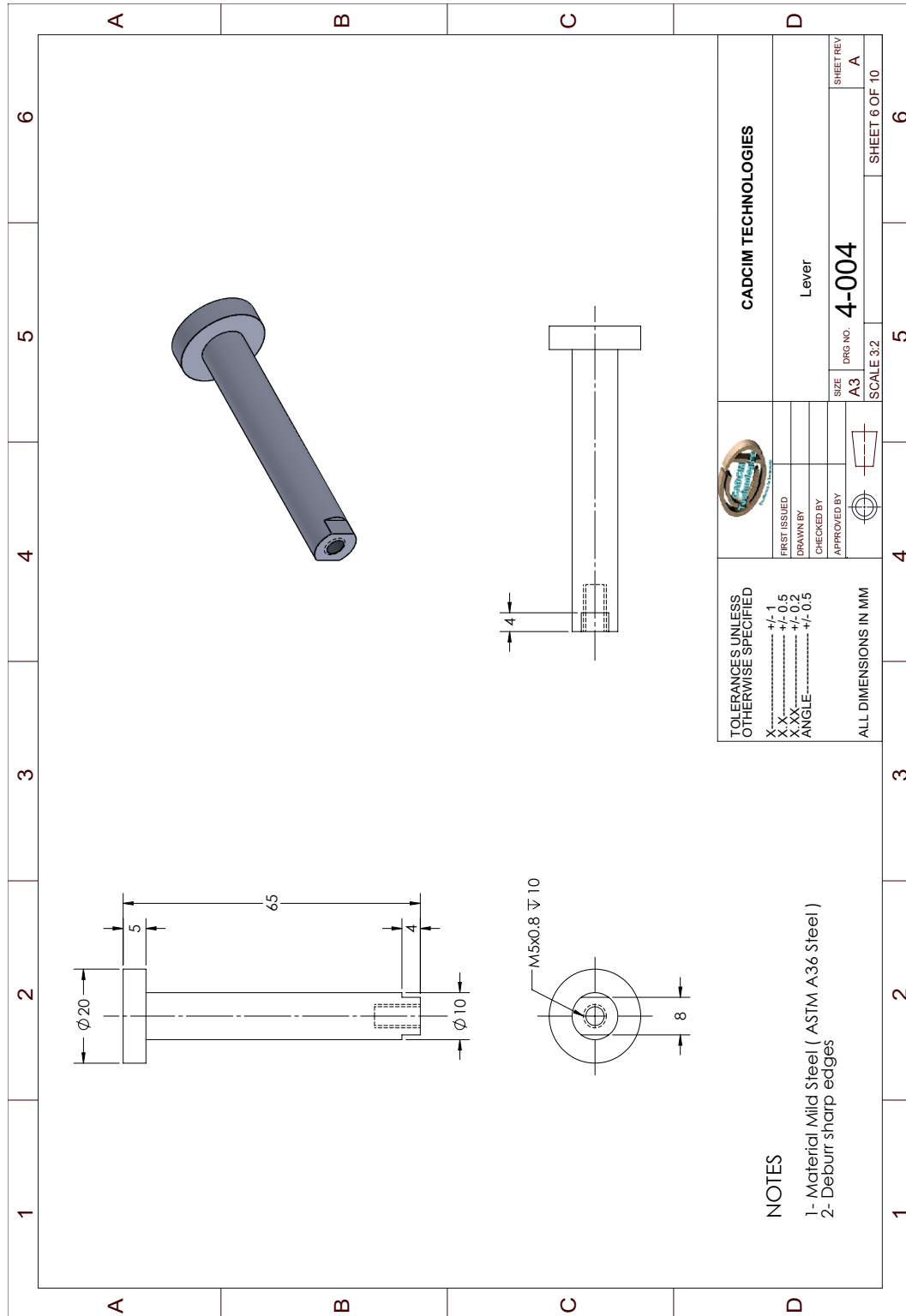


Figure P4-6 Views and dimensions of Lever

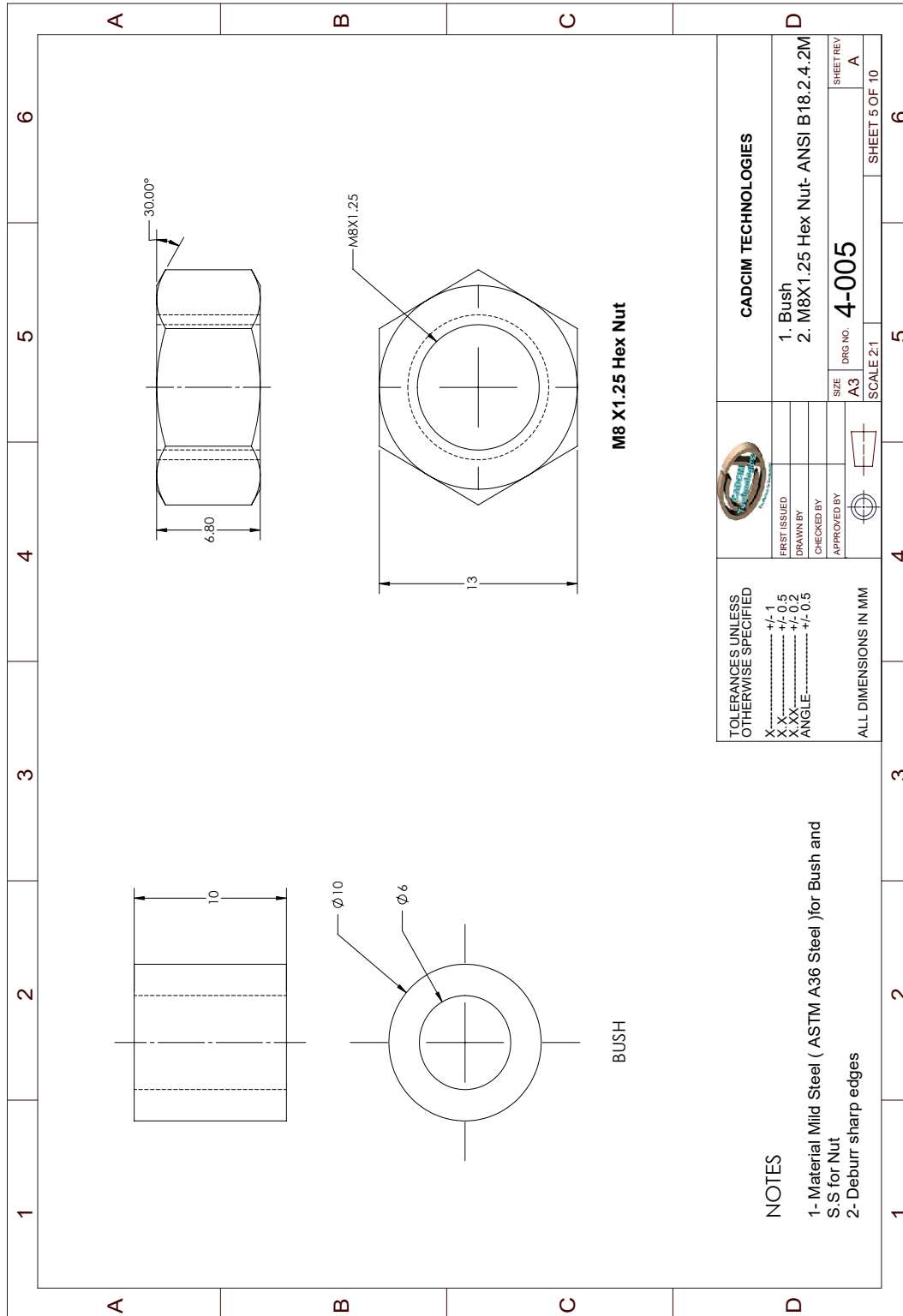


Figure P4-7 Views and dimensions of Bush and Nut

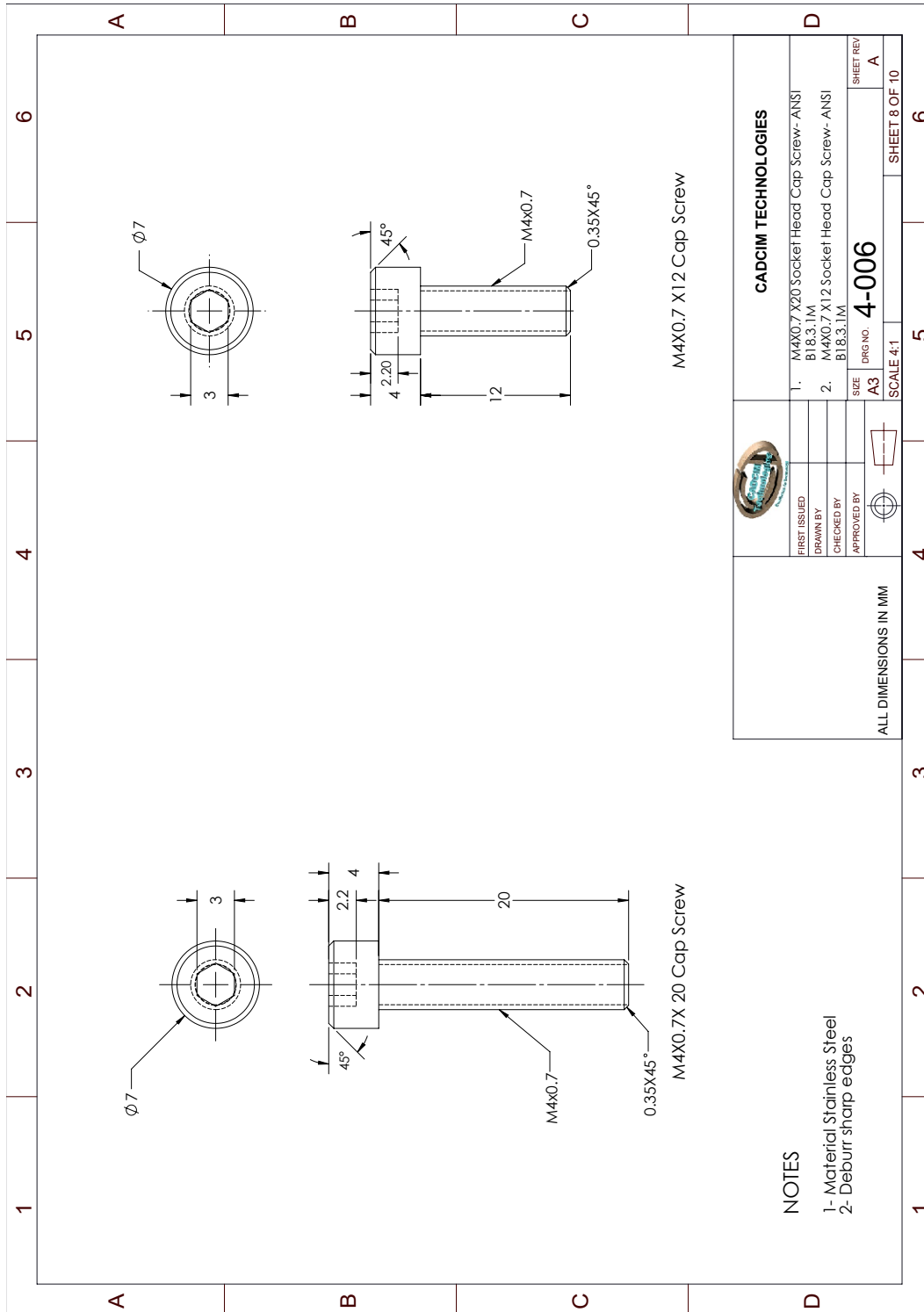


Figure P4-8 Views and dimensions of Cap Screws

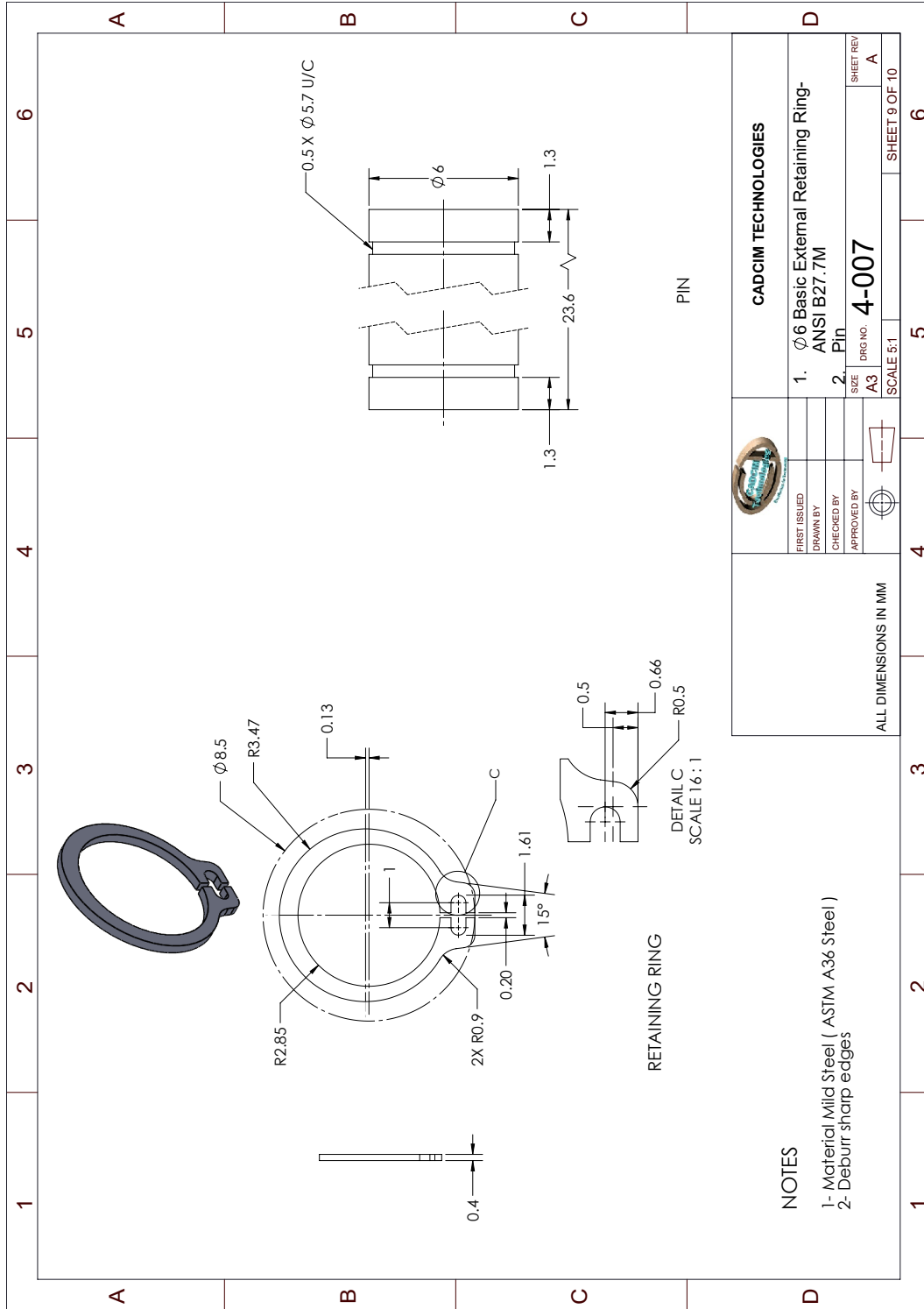


Figure P4-9 Views and dimensions of Retaining Ring and Pin

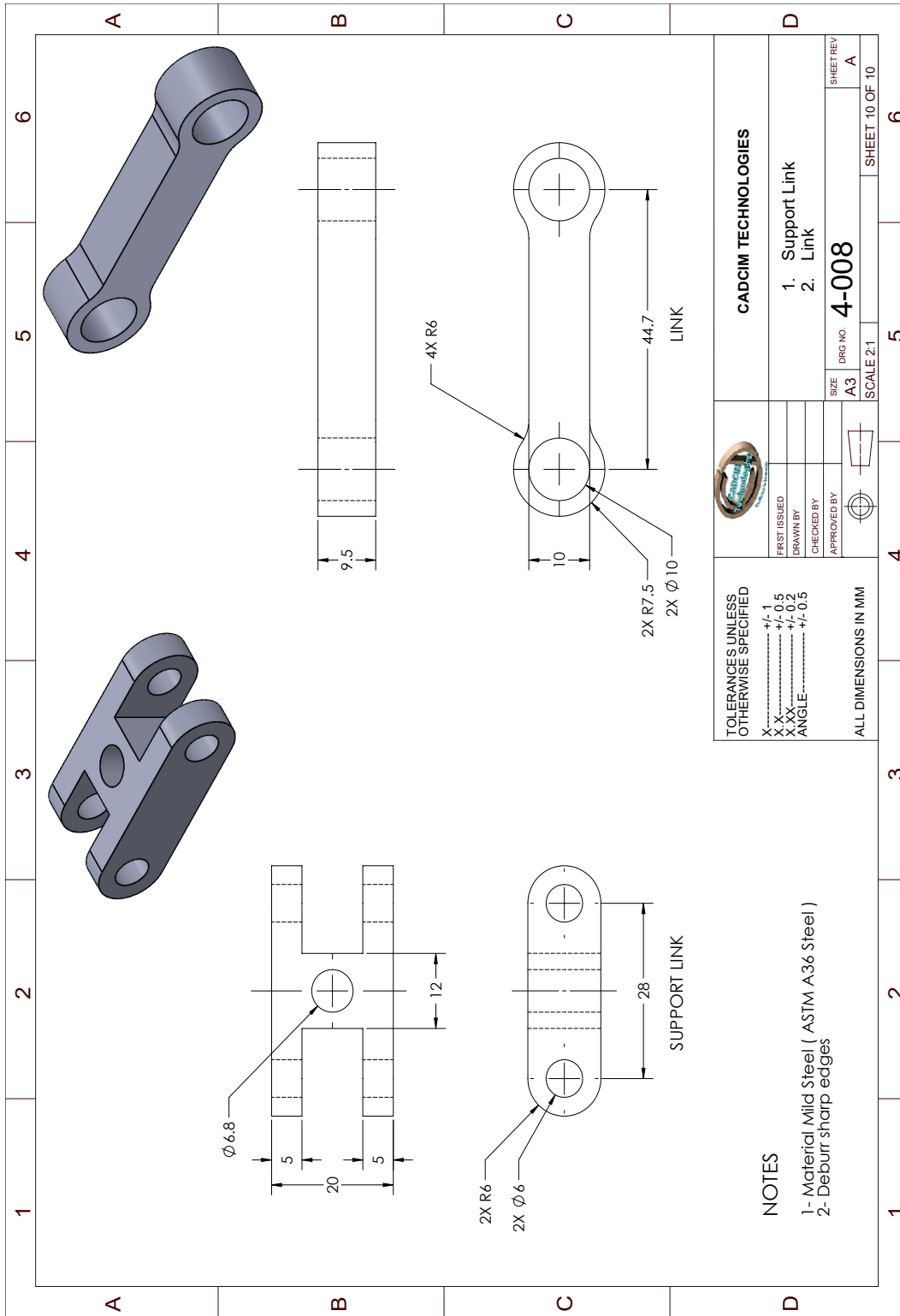


Figure P4-10 Views and dimensions of Support Link and Link

This page is intentionally left blank